

## ZIGBEE / BLUETOOTH TRANSCEIVER

# ZB-TC

### MAIN FEATURES

- Different variations available
- “On-chip” or external adjustable antenna
- Modular and flexible
- Communication distance up to 1 km with PRO version of XBee module
- Different communication protocols available
- Two units can be mounted in a single box, i.e. for double probe devices (optional ZB-TC II)
- Bluetooth version available



Example: ZB-TC I USB with external antenna

### DESCRIPTION

The **ZB-TC** module is a ZigBee (WiFi) transceiver that can be used (in a pair) to communicate data from a probe to its reading unit.

Different versions are available, depending on the used components and the scope of the device. For example, a ZB-TC allows the communication with a MERCURY GMP probe + PS-ZB accessory or in general with a probe, installing a module at each end of the wireless bridge.

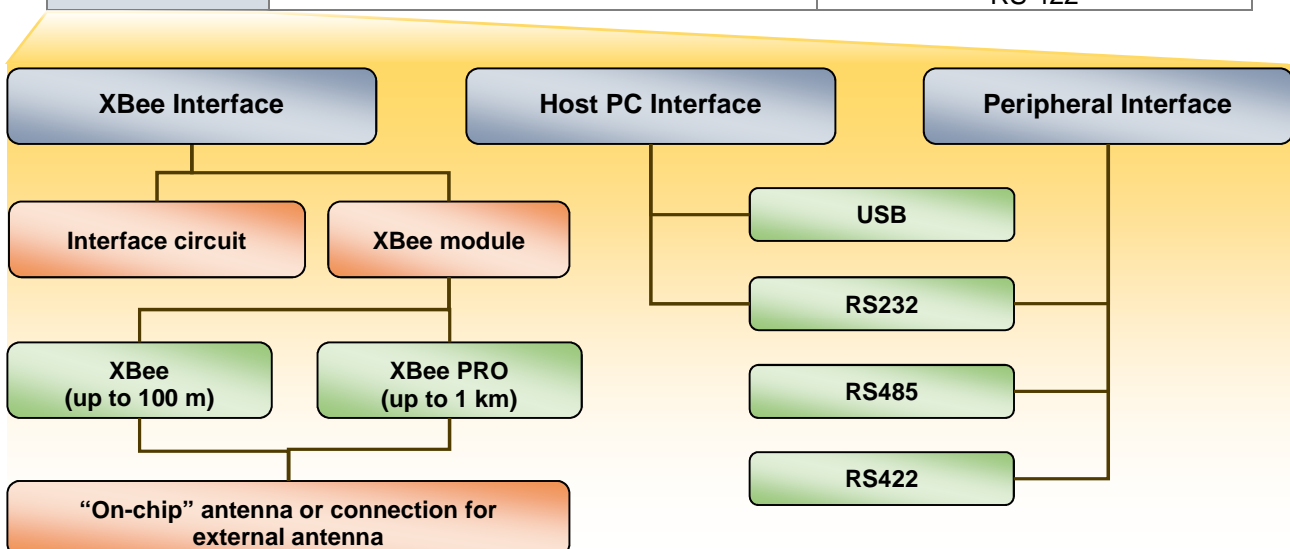
Optionally, it is possible to mount two modules in a single box (**ZB-TC II**), typically with trolley-mounted double probe devices (as an alternative to using a single module for each probe).

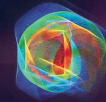
The **ZB-TC** module is composed of the main parts here listed:

- XBee Interface: wireless communication circuit where the XBee module is installed
- Host PC Interface: interface with the device (reading unit/probe) fitted for RS232 and USB
- Peripheral Interface: interface with the device (reading unit/probe) alternative to the previous one, fitted for RS485, RS 422 and RS232

### GUIDE TO AVAILABLE VERSIONS AND SINGLE MODULE COMPOSITION

	Single or double module (optional)	Interface type
ZB-TC	I	USB RS 232 RS 485
	II	RS 422





## SCHEMATIC EXAMPLES

Here are reported some examples that can help to better visualize what has been described. The examples represent the more frequent cases, using images of specific instruments; the ZB-TC module can be used with: NAUSICAA series, ICP series, MERCURY GMP-WR, LUPIN series.

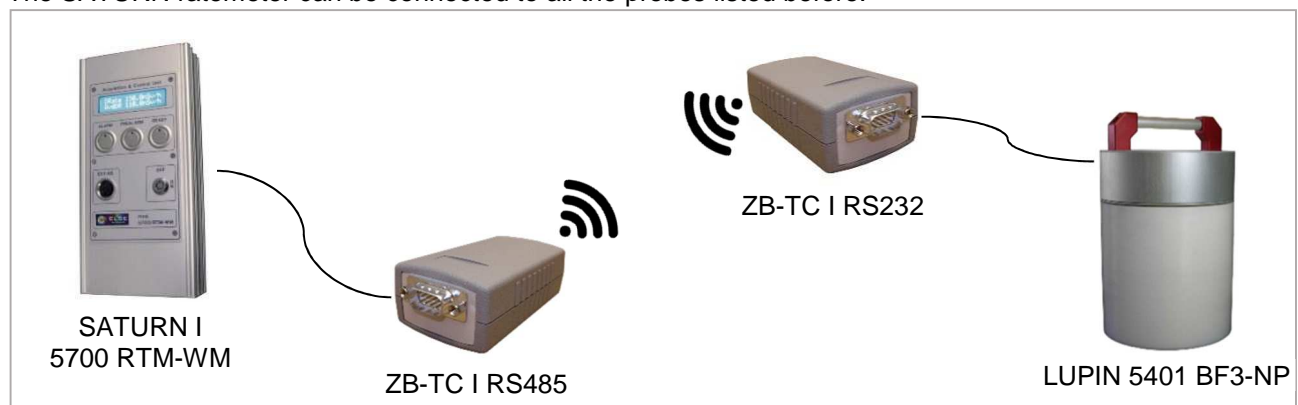
### **ZB-TC I: single module for wireless communication between PC and detector**

With NAUSICAA and SATURN+probe, a direct connection with the PC is possible.



### **ZB-TC I: single module for wireless communication between ratemeter and detector**

The SATURN ratemeter can be connected to all the probes listed before.



### **ZB-TC II: double module for wireless communication between double probe trolley and detectors**

Double version for double probe trolleys with remote detectors.

